

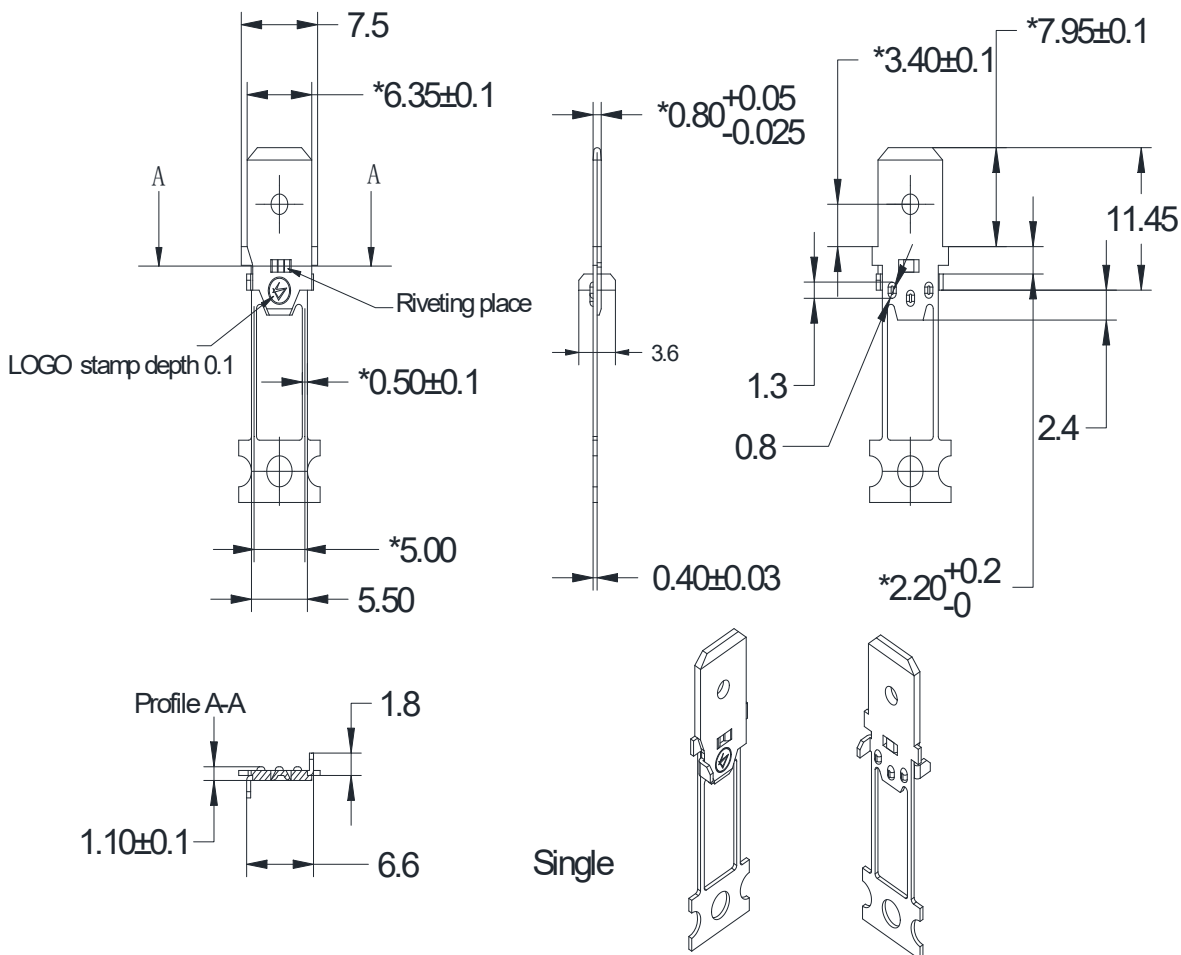
Features

The BT030-240 fuse terminal is made of copper with nickel plated surface. It is mainly used for connections in electrical circuits. This specification refers to model BT030 -240.

- Material: copper H65, semi-hard
- Bright tin plating surface: 1~3 μm
- Pb- and Halogen-free, RoHS compliant
- Smooth Surface
- Soldering temperature: 260±5°C
- Nickel plated
- After tape, one box quantity is 2000 pcs



Dimensions (unit in mm)



Ordering Information

Series	Part No.	Supplementary Code	Qty
BT030-240			