

522 Miniature Cartridge Fuse



Main Characteristics
Miniature Cartridge fuse; Time-Lag (T)

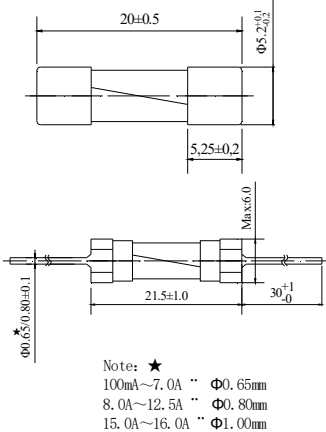
Standard

IEC 60127-2/III

Materials

Tube: Glass Tube
End Caps: Nickel-plated brass
Axial Leads: Nickel-plated caps
Tin-plated copper wires

Dimensions (unit in mm)



Operating Temperature

-55°C to +125°C

Storage Conditions

+10°C to +60°C
Relative humidity: ≤75% yearly average
without dew, maximum 30 days at 95%

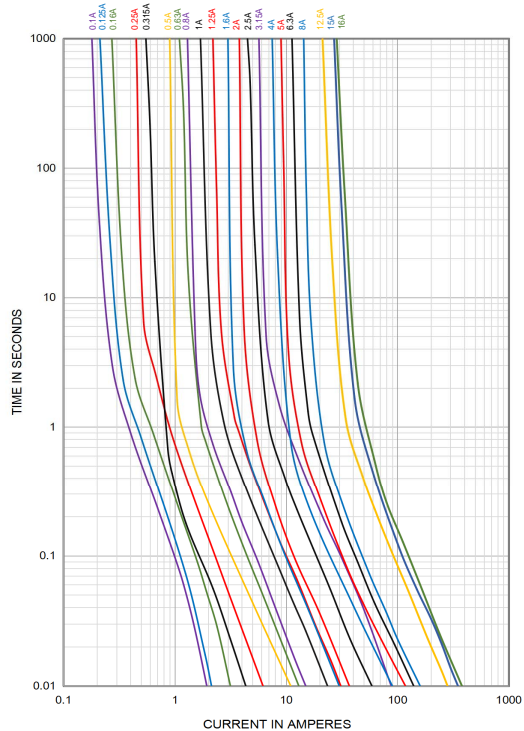
Vibration Resistance

24 cycles at 15 min. each (60068-6)
10-60Hz at 0.75mm amplitude
60-2000Hz at 10g acceleration

Soldering Parameters

260°C. ≤5 sec (Wave Soldering)
350°C. ≤3 sec (Hand Soldering)
Soldering Peak:
260°C. 10 sec. (IEC 60068-20)

Average Current Curve(I-T Curve)



Time vs Current Characteristics: IEC 60127-2/III

Rated Current	150%	210%	275%	400%	1000%
100mA	>1h	<2min	200ms~10s	40ms~3s	10ms~300ms
125mA~10A	>1h	<2min	600ms~10s	150ms~3s	20ms~300ms
12A~16A	>30min	<5min	600ms~15s	150ms~5s	20ms~400ms



Electrical Characteristics at 25°C

Amp	Rated Current	Rated Voltage	Max Voltage Drop(mV)	Max.Power Dissipation (W)	Nominal Melting I ² t(A ² sec)	Typical Code Resistance (mΩ)	Breaking Capacity	Approvals						
								VDE	CQC	CULus	PSE	CCC	KC	TUV
0100	100mA	250V AC	2500	1.6	-	-	35A or 10In@250V AC	○	○	●	○	○	○	○
0125	125mA		2000	1.6	-	-		○	○	●	○	○	○	○
0160	160mA		1900	1.6	-	-		○	○	●	○	○	○	○
0200	200mA		1500	1.6	-	-		○	○	●	○	○	○	○
0250	250mA		1300	1.6	0.384	860		○	○	●	○	●	○	●
0315	315mA		1100	1.6	0.462	320		○	○	●	○	●	○	●
0400	400mA		1000	1.6	0.723	225		○	○	●	○	○	○	●
0500	500mA		900	1.6	1.21	185.3		●	○	●	○	●	○	○
0630	630mA		300	1.6	1.69	135		○	○	●	○	○	○	○
0800	800mA		250	1.6	2.25	96.3		○	○	●	○	○	○	○
1100	1.00A		150	1.6	5.52	71.0		●	○	●	○	●	○	○
1125	1.25A		150	1.6	9.61	51.0		○	○	●	○	○	○	●
1150	1.50A		150	1.6	6.25	65.0		○	○	●	○	○	○	○
1160	1.60A		150	1.6	9.00	42.0		●	○	●	○	●	○	○
1200	2.00A		150	1.6	13.7	32.0		○	○	●	○	●	○	○
1250	2.50A		120	1.6	36	41.5		●	○	●	○	●	○	○
1315	3.15A		100	1.6	98	17.2		●	○	●	○	●	○	○
1400	4.00A		100	1.6	81	14.3		○	○	●	○	●	○	○
1500	5.00A		100	1.6	139	10.8		●	○	●	○	●	○	○
1630	6.30A		100	1.6	196	8.20		●	○	●	○	●	○	○
1800	8.00A		100	4	256	6.50		●	●	●	○	○	○	○
2100	10.00A		100	4	576	5.30		●	●	●	○	○	○	○
2120	12.00A		100	4	676	4.10		○	○	●	○	○	○	●
2125	12.50A		100	4	795	4.30		○	○	●	○	○	○	○
2150	15.00A		100	4	1100	3.10		○	○	●	○	○	○	○
2160	16.00A		100	4	1444	3.00		○	○	●	○	○	○	○

Note: 1. Permissible continuous operating current is 100% at ambient temperature of 23°C (73.4°F)
2. The current values used for calculating I²T should be within the standard range of 8ms ~ 10ms.

Ordering Information

Series	Amp Code	Supplementary Code	Qty
522			